

VERTICAL MULTI-SUBSTRATE CUTTERS

FOR SIGN MAKERS

**98" SteelTraK
Model # 60383**

Vertical cutting length
of 98" (250cm)



**82" SteelTraK
Model # 60385**

Vertical cutting length
of 82" (210cm)



**65" SteelTraK
Model # 60380**

Vertical cutting length
of 65" (165cm)



For producing a clean finished edge on semi-rigid and rigid materials.

- Robust, reliable, and easy to use
- Turn-and- lock mounting for tools
- Low friction ball bearings on a steel track ensures accuracy
- Same cut line for all tools
- Telescopic legs for customized height
- Full-length, extra grip clamping system

CUTS ALL THESE MATERIALS AND MORE:

Twin-Wheel Cutting Head

Aluminum (0.040")*
Aluminum composite
Mat board
Polycarbonate

Scoring Blade up to 0.25" thick

Acrylic**
Plexiglas**

Utility Blade Up to 0.5"

Cardboard
Foam board
Gatorboard
Honeycomb board
Corrugated plastic
PVC board**

PRECISION CUTTER BARS & WORKBENCHES

ULTRA-HIGH PRECISION CUTTER BARS

Evolution3 SmartFold
.008" Accuracy



The ultimate tool for a busy production environment.

- Lift-and-Hover for fast and accurate alignment
- Fits any bench
- Swing-down under-bench storage to leave work surface clear
- Eight sizes: 44", 64", 84", 104", 124", 144", 160", 180"

Evolution3 BenchTop
.008" Accuracy



Perfect for a busy studio or medium use production environment.

- Lift-and-Hover for fast and accurate alignment
- Fits most benches
- Six sizes: 44", 64", 84", 104", 124", 144"

Evolution3 FreeHand
.008" Accuracy



Portable cutter for accurate, occasional cutting in a studio or workshop environment.

- Portable cutter to use on most surfaces
- Five sizes: 44", 64", 84", 104", 124"

- Interchangeable QuikSwap tool heads
- Anti-sag system holds the cutter bar level for accurate line-up
- Sightline strip for easy alignment & fewer mistakes

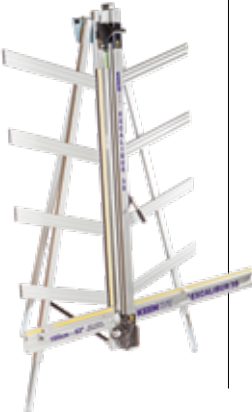
CUTS ALL THESE MATERIALS AND MORE:

Up to 0.5"
Acrylic (up to 0.25",
scoring & snapping)
Banner
Cardboard
Corrugated plastic
Fabric and Textiles
Film
Foam board
Gatorboard
Honeycomb board
Ink jet media
PVC board (10mm)
Self-adhesive materials
Tissue

**Excalibur 3S
Model # 60373**

Economically priced but provides most of the cutting capabilities of the SteelTraK

- Same cut line for all tools
- Full-length, extra grip clamping system
- Vertical cutting length of 63" (160cm)



STEELTRAK ACCESSORIES

**V-Groove
Cutting Tool**

Four Sizes:
2mm, 3mm, 4mm, 6mm



**Aluminum Twin
Wheel Tool
Model # 69127**



**Steel
Composite
Twin Wheel
Tool
Model # 69175**



Free Standing Kit

For 63"/65" Model # 66002
For 82" Model # 66003
For 98" Model # 66004

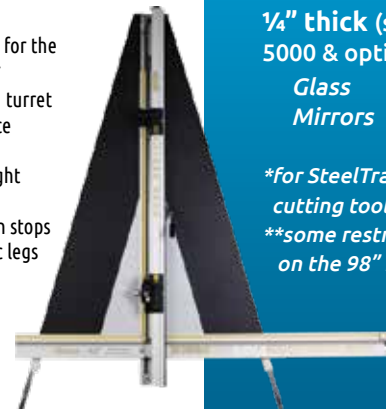


FOR FRAMERS

Excalibur 5000 Model # 60376

An advanced vertical cutter for the professional picture framer

- Twist and lock rotating turret
- Integral counterbalance
- Full-length clamping
- Telescopic legs for height adjustment
- Easy-to-use production stops
- Cut Size: 63" Telescopic legs



Tungsten Carbide Wheel up to 1/4" thick (standard on Excalibur 5000 & optional on SteelTraK)

Glass
Mirrors

*for SteelTraK with optional cutting tools
**some restrictions may apply on the 98" model

WORKBENCHES

Evolution Workbench

Add the E2 Bench for a turnkey professional cutting system



Integrated aluminum base for quick and easy mounting of the Evolution-E2
• 28" and 50.75" Extension kits available

M-Bench System

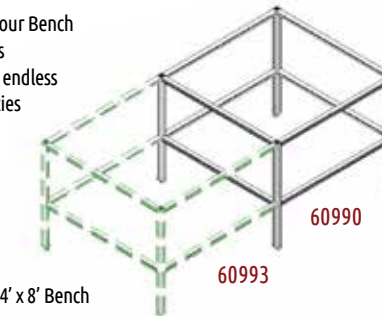
Get exactly what you need to fit your space and workflow

Step 1:
Start with a Bench Base



4' x 4' Bench Base
60990

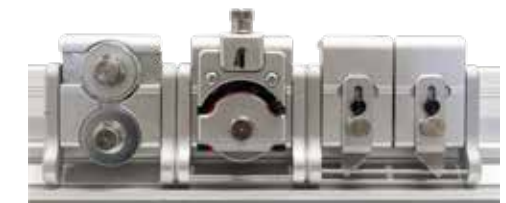
Step 2:
Choose your Bench Additions to create endless possibilities



4' x 8' Bench
60993

- Quality, precision alloy construction is strong and damage resistant
- Unique proprietary lock provides a rigid structure and extra safety under heavy load

EVOLUTION3 ACCESSORIES



Optional Creaser Tool Head
Optional Fabric Tool Head
Included Double Graphik Blade Tool Head

KEENCUT

5 YEAR GENERAL WARRANTY

Ultra High Precision:

Guaranteed to cut a straight line varying no more than 0.008" over the length of the cutter.

Foster

1-800-523-4855 toll-free
(USA and Canada only)
1-267-413-6220
www.go-foster.com

PRECISION CUTTER BARS & ROTARY TRIMMERS

HIGH PRECISION CUTTER BARS

Sabre Series 2 .03" Accuracy



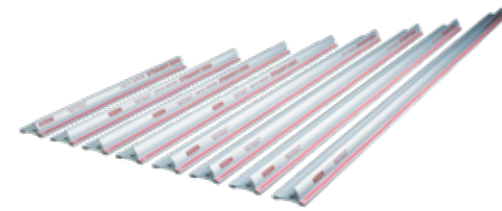
- Ideal for both individual jobs and volume production
- Precision cutter mounted on an anodized aluminum base
 - Use on a bench or stand
 - Interchangeable tools
 - Five sizes: 40", 60", 80", 100", 120"

Simplex .03" Accuracy



- A quality, light weight, general purpose alternative that cuts substrates up to 3/8"
- Portable
 - Ergonomical rocker-style cutting head
 - Five sizes: 44", 64", 84", 104", 124"

Precision Safety Straight Edges



- Exceptional straightness provides accurate cutting to within 1mm
- Embedded steel edge to resist wear
 - Full length curved finger guard
 - Nine Imperial sizes: 18", 24", 30", 36", 42", 48", 54", 60", 72"
 - Nine Metric sizes (cm): 45, 60, 75, 90, 105, 120, 135, 150, 180

ROTARY TRIMMERS

Advanced Rotary Cutter (ARC)



- A scissor-action cutter that cleanly and precisely cuts paper, offset printing plates, thin film, and other delicate materials
- Two-way cutting with twin tungsten steel cutting wheels
 - Use on a bench or stand
 - Five sizes: 42", 60", 80", 100", 120"

Table Edge Trimmer (TE)



- When space is at a premium, this mountable rotary cutter option is the perfect solution
- Two-way cutting with twin tungsten steel cutting wheels
 - Mount permanently to an existing table
 - Five sizes: 40", 60", 80", 100", 120"

Stand & Stand Packages



- For added convenience and maximum flexibility, combine a Stand or Stand Pack with a compatible Sabre Series 2 Cutter, Advanced Rotary Cutter or Hot Cut System.
- Stand Only- 36"H Steel stand
 - Stand Pack- 36"H Steel stand, waste catcher & a roll feeder bar

STANDS

CUTS ALL THESE MATERIALS AND MORE

Cutter Bars, Up to 0.5":

- Acrylic (up to 0.25", scoring & snapping)
- Banner
- Cardboard
- Corrugated plastic
- Fabric and Textiles*
- Film
- Foam board
- Gatorboard
- Honeycomb board
- Ink jet media
- PVC board (10mm)
- Self-adhesive materials
- Tissue

*For Simplex with optional cutting tool

ARC & TE:

- Aluminum plate (0.004")
- Banner
- Card
- Digital prints
- Film
- Floor graphics
- Ink jet media
- Photo paper
- Self-adhesive materials
- Tissue paper
- Vinyl

FABRIC & SPECIALITY CUTTERS

FOR FABRIC CUTTING

Hot Cut System



- For accurately cutting and sealing textiles using a hot knife
- Choice of spring loaded holder for either the HSGM or AZTC hot knife
 - Securely holds the hot knife for accurate and safe 90° cutting
 - Use on bench or mount to an optional stand
 - Three sizes: 36", 75", 115"

HSGM Heat Knife & Carrier



- Fabric graphics cutting and finishing
- Carriers fit all cutter bars
 - Blade heat time: 6-8 seconds
 - Blade temperature: approx.. 1100°F
 - Electrical: uses 120 V, 60 W
 - N Blade: Fine Tip
 - R Blade: Broad Tip

FOR PACKAGE PRINTERS

Futura Safety Flexo Plate Cutter Series 2



- For precisely cutting flexo plates and other substrates
- Bevel and vertical cutting with one head
 - 5-degree undercut gives tighter joints when fixed onto the cylinder
 - Site line strip shows operators exactly where the cut line is
 - Five Sizes: 18", 32", 50", 64", 84"

CUTS ALL THESE MATERIALS AND MORE

- Hot Cut/Heat Knife:
- Synthetic Fabric
 - Webbing
 - Ropes (17mm maximum diameter)

Futura's, Up to 0.375":

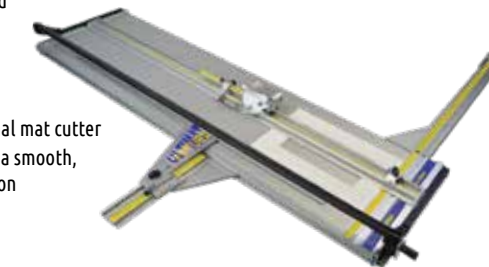
- Banner
- Conservation board
- Corrugated plastic
- Flexo Plates**
- Foam board
- Ink jet media
- Mat board
- Mount board
- Self-adhesive vinyl

**with Futura Safety Flexo Plate Cutter Series 2

FOR FRAMERS

Ultimat Futura

A heavy-duty mat cutter for production cutting of both thick conservation board and standard mat board.

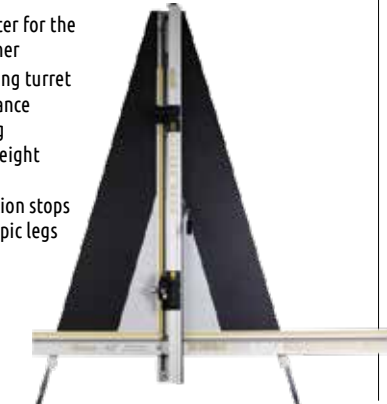


- Technically advanced professional mat cutter
- Ball bearing rollers deliver a smooth, precise and ultra low friction sliding action
 - Unique microstops for precision adjustment
 - Fatigue reducing roller lift & hold
 - Three sizes: 40", 48", 60.5"

Excalibur 5000 Model # 60376

An advanced vertical cutter for the professional picture framer

- Twist and lock rotating turret
- Integral counterbalance
- Full-length clamping
- Telescopic legs for height adjustment
- Easy-to-use production stops
- Cut Size: 63" Telescopic legs



Foster

To locate a Foster dealer closest to you, call or e-mail us: information@go-foster.com

1-800-523-4855 toll-free (USA and Canada only)
1-267-413-6220
www.go-foster.com

Follow Foster Online



High Precision: Guaranteed to cut a straight line varying no more than 0.03" over the length of the cutter.

KEENCUT

5 YEAR GENERAL WARRANTY